

ELECMECH

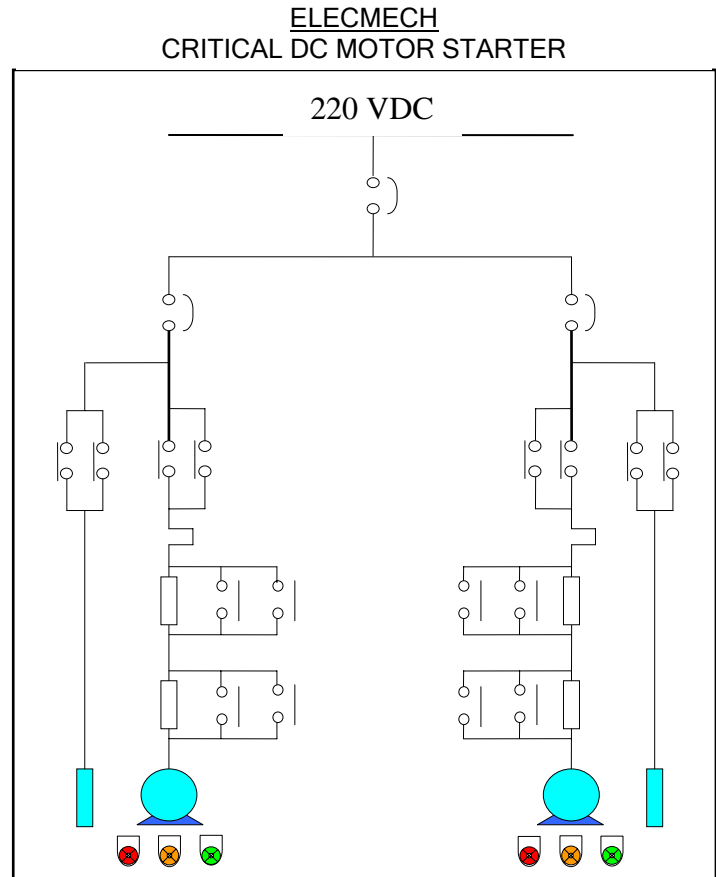
Andheri Industrial Estate, Off Veera Desai Road, Andheri-West, Mumbai 400058
Telefax: +91 22 26730690 / 26730691 / 66963018, pmcc@elecmech.in

Critical DC Motor Starters for Turbine Bearing Lube Oil System.

Large STG and GTG in a CPP require Fail Safe Redundant DC Motor based Forced Lube Oil Circulation System to prevent wearing out of Critical Bearing of Turbines.

Elecmech designs & manufactures **DC Motor Starters** for Critical Applications with...

- Multi-Step Starting.
- Fail safe.
- Redundant.
- Standby.
- TENV Dust & Vermin proof.
- IP-51 / IP-42 & IP55 Construction.
- Naturally cooled optimized SS resistance.
- Maintenance free.
- Stringent Quality Control.
- CNC Fabrication.
- 11 Tank Sheet Metal Pretreatment.
- Epoxy Powder Coated MS Enclosure.
- Optional SS Hardware.
- Optional Aluminum Strip / Tape Mimic.
- Well engineered starter panel.
- Printed Straight & Cross ferruling.
- Colour coded wiring.
- Screw-less color coded terminals.
- Ready Engr CAD circuit drawings & docs.



Apart from Type Tested LT Panels: PCC, PMCC, DRAWOUT MCC, & Flameproof Equipment, MV & LT Busducts, Elecmech also specializes in design & manufacturing of state of the art, cost effective...

Integrated PCC with Genset Automation System for Multiple Gensets with

- | | |
|-----------------------------------------------------------------------------|----------------------------------------------------------------------------|
| <input checked="" type="checkbox"/> Micro-based Auto & Manual Synchronizing | <input checked="" type="checkbox"/> Digital Metering, Alarms, Annunciation |
| <input checked="" type="checkbox"/> AMF, Grid Sync System | <input checked="" type="checkbox"/> Generator Protection System |
| <input checked="" type="checkbox"/> Auto Load, PF, VAR Sharing | <input checked="" type="checkbox"/> Serial Interface & MMI |

Elecmech works: 112, G.V.M.M, Odhav, Ahmedabad, India 382415
+91 79 22901270 / 22901385 / fax 22900435, works@elecmech.in