

ELECMECH

Elecmec works: 112, G.V.M.M, Odhav, Ahmedabad, India 382415
+91 79 22901270 / 22901385 / fax 22900435, works@elecmec.in

Elecmec is a pioneer Synchronization Systems in India.

We have designed and implemented DG Automation systems for various requirements:

- Auto Starting / Stopping (AMF)
- Auto Sync, Auto Load-Sharing
- Grid Sync and Export Control.
- Auto Load dependent Start Stop Systems

Elecmec offers Genset Automation & Scada system with Auto synchronizers & Genset controllers, Plc of various makes such as.

- ✓ Woodward Controllers & Relays:
- ✓ Deif/Basler Relays
- ✓ Schneider PLC and Scada
- ✓ Allen Bradley PLC and Scada

Elecmec has successfully executed more than 25 complicated Genset Automation projects for some of the leading names in the Industry:

- ✓ Reliance Hazira: Critical Genset Automation System
- ✓ Reliance Hazira: Jamnagar 8 x 40 Mw GTG +4 x 40 Mw STG with Hot Standby PLC
- ✓ Marine Tank Farm: Cummins Engines, Volvo Penta Engines,
- ✓ Reliance Communications, 2 x 1.25 Mva Kirloskar engines
- ✓ Moser Baer Ltd: Mitsubishi Heavy Ind. 4 x 1.75 Mva
- ✓ Cadburys: 2 x 3 x 1.25 Mva Cummins, 8 x 500 kva cummins
- ✓ ITC: 2 x 1000 kva AMF
- ✓ C&A: Retrofitting of Genset Automation system 3 x 1.0 Mva Cummins
- ✓ Tata Power Ltd: 4 x 12.5 Mva Sulzer France

Integrated PMCC with DG Automation system with EMS & SCADA system is our Specialty. We offer System design, manufacturing, along with installation, commissioning services

We have the necessary experience in

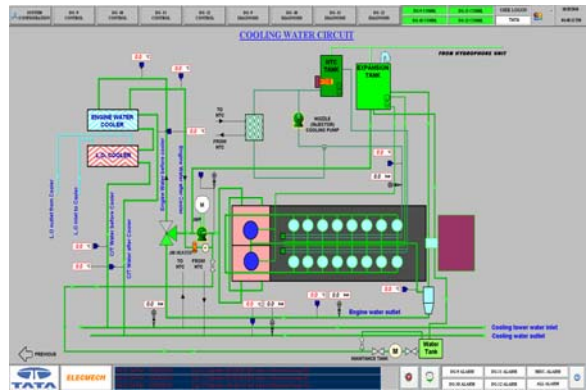
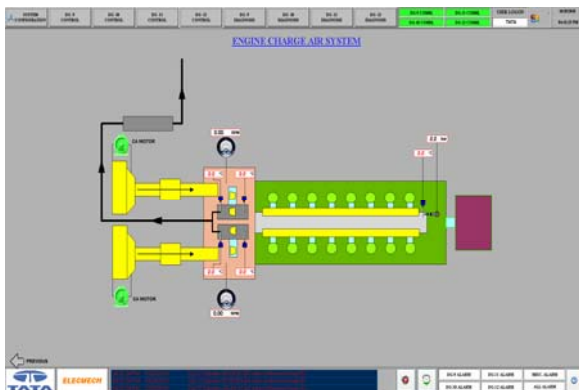
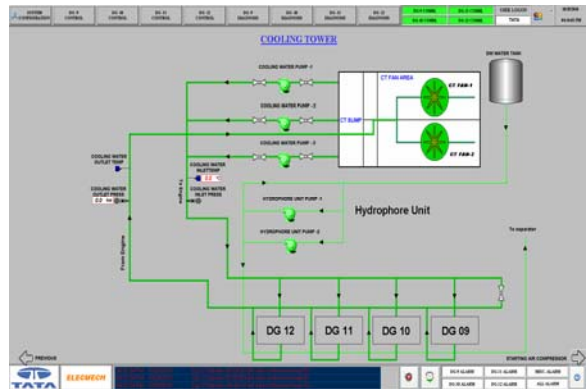
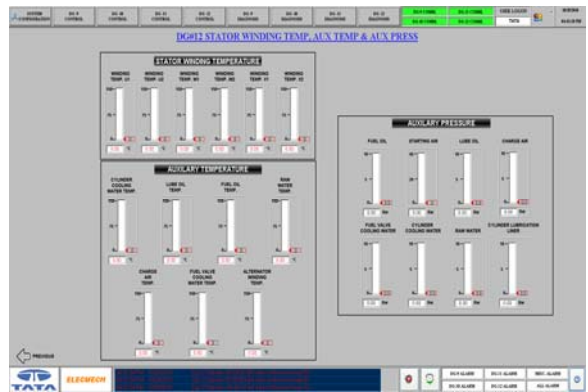
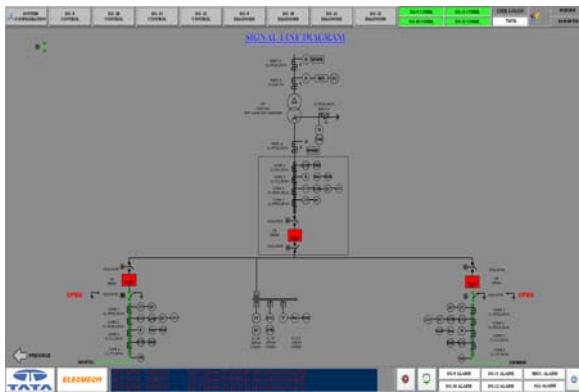
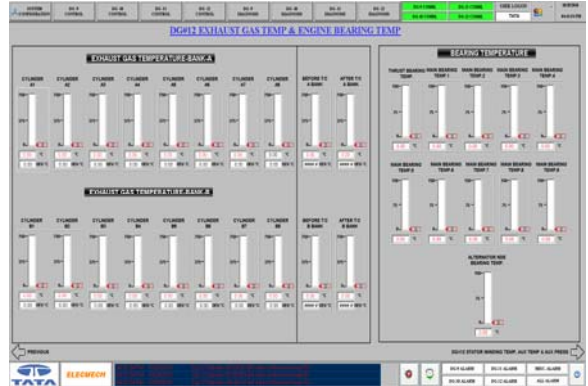
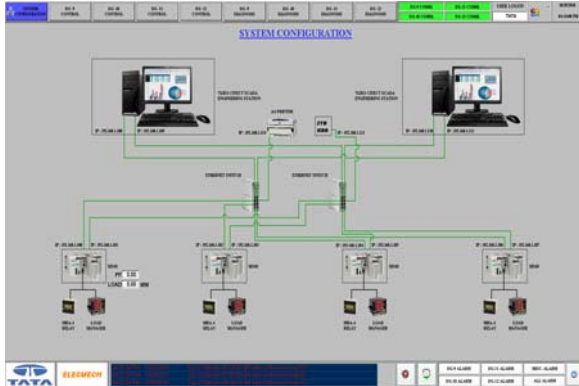
- ✓ World Class PCC engineering design
- ✓ Thermal design
- ✓ Dust & Vermin proof designs
- ✓ Reliability engg for maintenance free operation for years together
- ✓ PLC based automation system design with or without hot standby.
- ✓ PCC Fault Level Engg
- ✓ Instrumentation & Control System design
- ✓ Power Protection Schemes and Protection Relays
- ✓ Design of Power electronic eqpt such as ups,ac drives, dc drives, smps etc.
- ✓ Electromagnetic Noise & RFI immunity
- ✓ World Class Aesthetics and ergonomics,
- ✓ Class 1 Quality and Workmanship
- ✓ Assured service when needed

Integrated HMI SCADA System for Tata Power Ltd

- ✓ Network diagram
- ✓ Live Power Plant Sld
- ✓ Genset System Protection Relay Interface
- ✓ PLC I/O diagnostics
- ✓ Engine Parameters
- ✓ Generator Parameters
- ✓ Charge Air System
- ✓ HT Water System
- ✓ LT Water System
- ✓ Lubrication System
- ✓ Fuel Gas System
- ✓ Compressed Air System
- ✓ System Auxiliaries
- ✓ Integrated Energy Management system
- ✓ Alarms & Events Logging
- ✓ Real-time Trends & Display
- ✓ Historical Trends
- ✓ Crystal Reports for MIS
- ✓ Remote Monitoring and Control through Web server

ELECMECH

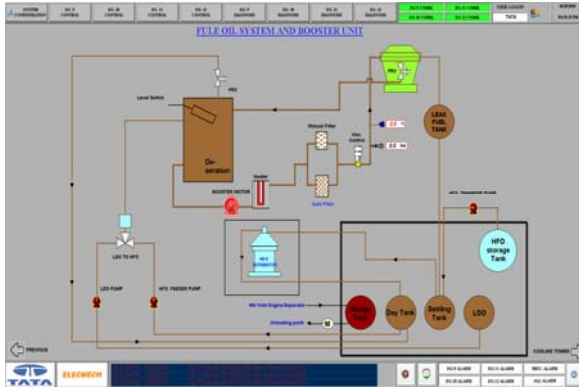
Elecmec works: 112, G.V.M.M, Odhav, Ahmedabad, India 382415
 +91 79 22901270 / 22901385 / fax 22900435, works@elecmec.in



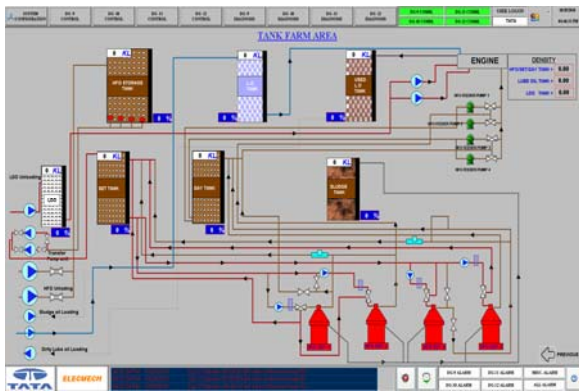
Mktg office: Andheri Industrial Estate, Off Veera Desai Road, Andheri-West, Mumbai 400058
 Telefax: +91 22 26730690 / 26730691 / 66963018, pmcc@elecmec.in

ELECMECH

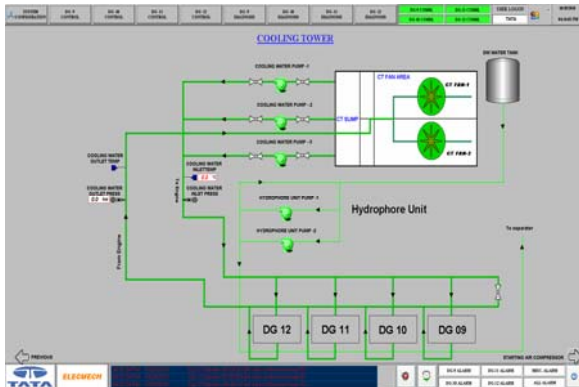
Elecmec works: 112, G.V.M.M, Odhav, Ahmedabad, India 382415
 +91 79 22901270 / 22901385 / fax 22900435, works@elecmec.in



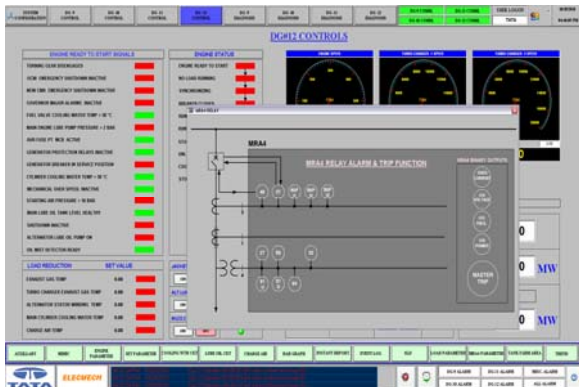
Unit Name	Status	Voltage	Current	Power	Fuel Consumption
DG 01	Running	415V	100A	40kW	10L/hr
DG 02	Running	415V	100A	40kW	10L/hr
DG 03	Running	415V	100A	40kW	10L/hr
DG 04	Running	415V	100A	40kW	10L/hr
DG 05	Running	415V	100A	40kW	10L/hr
DG 06	Running	415V	100A	40kW	10L/hr
DG 07	Running	415V	100A	40kW	10L/hr
DG 08	Running	415V	100A	40kW	10L/hr
DG 09	Running	415V	100A	40kW	10L/hr
DG 10	Running	415V	100A	40kW	10L/hr
DG 11	Running	415V	100A	40kW	10L/hr
DG 12	Running	415V	100A	40kW	10L/hr



Date	Time	Description
2023-10-27	10:30:15	Engine 01 Start
2023-10-27	10:30:15	Engine 02 Start
2023-10-27	10:30:15	Engine 03 Start
2023-10-27	10:30:15	Engine 04 Start
2023-10-27	10:30:15	Engine 05 Start
2023-10-27	10:30:15	Engine 06 Start
2023-10-27	10:30:15	Engine 07 Start
2023-10-27	10:30:15	Engine 08 Start
2023-10-27	10:30:15	Engine 09 Start
2023-10-27	10:30:15	Engine 10 Start
2023-10-27	10:30:15	Engine 11 Start
2023-10-27	10:30:15	Engine 12 Start



Date	Time	Description
2023-10-27	10:30:15	Engine 01 Stop
2023-10-27	10:30:15	Engine 02 Stop
2023-10-27	10:30:15	Engine 03 Stop
2023-10-27	10:30:15	Engine 04 Stop
2023-10-27	10:30:15	Engine 05 Stop
2023-10-27	10:30:15	Engine 06 Stop
2023-10-27	10:30:15	Engine 07 Stop
2023-10-27	10:30:15	Engine 08 Stop
2023-10-27	10:30:15	Engine 09 Stop
2023-10-27	10:30:15	Engine 10 Stop
2023-10-27	10:30:15	Engine 11 Stop
2023-10-27	10:30:15	Engine 12 Stop



Mktg office: Andheri Industrial Estate, Off Veera Desai Road, Andheri-West, Mumbai 400058
 Telefax: +91 22 26730690 / 26730691 / 66963018, pmcc@elecmec.in